

NEXUS AUDIO SYSTEMS PRESENTS

# C-816 Phantom Control Series Multi-Zone Audio Controller



## Phantom CONTROL

THE "PHANTOM CONTROL" C-816 MULTI-ZONE AUDIO CONTROLLER AND KEYPADS, USE OUR UNIQUE AND PROPRIETARY TECHNOLOGY TO COMMUNICATE AND CONTROL AUDIO SOURCE COMPONENTS, OVER EXISTING OR NEWLY INSTALLED FOUR CONDUCTOR SPEAKER WIRE. THE C-816 SUPPORTS 8 INDEPENDENTLY OPERATED ZONES, AS WELL AS 6 AUDIO SOURCES, IN ADDITION TO A BUILT IN AM/FM TUNER. ENGINEERED FOR THE FUTURE, THE UNIT INCLUDES AN RS-232 SERIAL PORT FOR EASY INTEGRATION WITH OTHER HOME AUTOMATION SYSTEMS, INCLUDING A USB PORT FOR FIRMWARE UPGRADES IN THE FIELD.

THE C-816 FEATURES SIX ZONES, EACH WITH 100 WATTS INTO 4 OHM LOADS (ALL ZONES DRIVEN) INCLUDING TWO ZONES WITH VARIABLE LINE LEVEL OUT. AUDIO INPUTS ARE COMPRISED OF 4 STEREO RCA INPUTS AND 2 BAYS THAT WILL ACCEPT VARIOUS INPUT MODULES SUCH AS OUR MZ-DOCK, INTERNET RADIO MODULE AND MZ-AUDIO INPUT AUXILIARY MODULE. ALSO INCLUDED ARE AUDIO AND TRIGGER INPUTS FOR TELEPHONE PAGING AND DOORBELL MUTE FUNCTIONS, TO ENSURE, YOU WILL NOT MISS THAT IMPORTANT CALL OR VISITOR.

THE C-816 CAN BE EXPANDED TO 8 ZONES, SIMPLY BY ADDING OUR "PHANTOM" A-200 OR A-500 ZONE AMPLIFIERS. THE A-200 PROVIDES 2 ZONES, EACH WITH 100 WATTS USING THE SAME CLEAR, POWERFUL, MUSICAL AMPLIFIERS AS THE C-816. THE A-500 ZONE AMPLIFIER FEATURES THE SAME FUNCTIONALITY, AND EASE OF USE WITH ADDITIONAL POWER RATING OF 250 WATTS PER ZONE. TWO C-816 CONTROLLERS CAN BE STACKED TO PROVIDE A TOTAL OF 16 INDIVIDUAL ZONES.



THE K1 AND K-2 KEYPADS SIMPLY CONNECT BETWEEN THE C-816 "PHANTOM" CONTROLLER AND THE SPEAKERS PROVIDING ALL OF THE CONTROL REQUIRED FOR THE C-816 SYSTEM.

FROM VOLUME AND TONE CONTROLS FOR EACH ZONE, TO SELECTING RADIO STATIONS OR CD DISCS, INCLUDING CONTROLLING THE MZ-DOCK AND DISPLAYING PLAYLISTS, ARTIST, SONG, ALBUM, GENRE AND MORE ON THE BLUE BACKLIT LCD SCREEN.

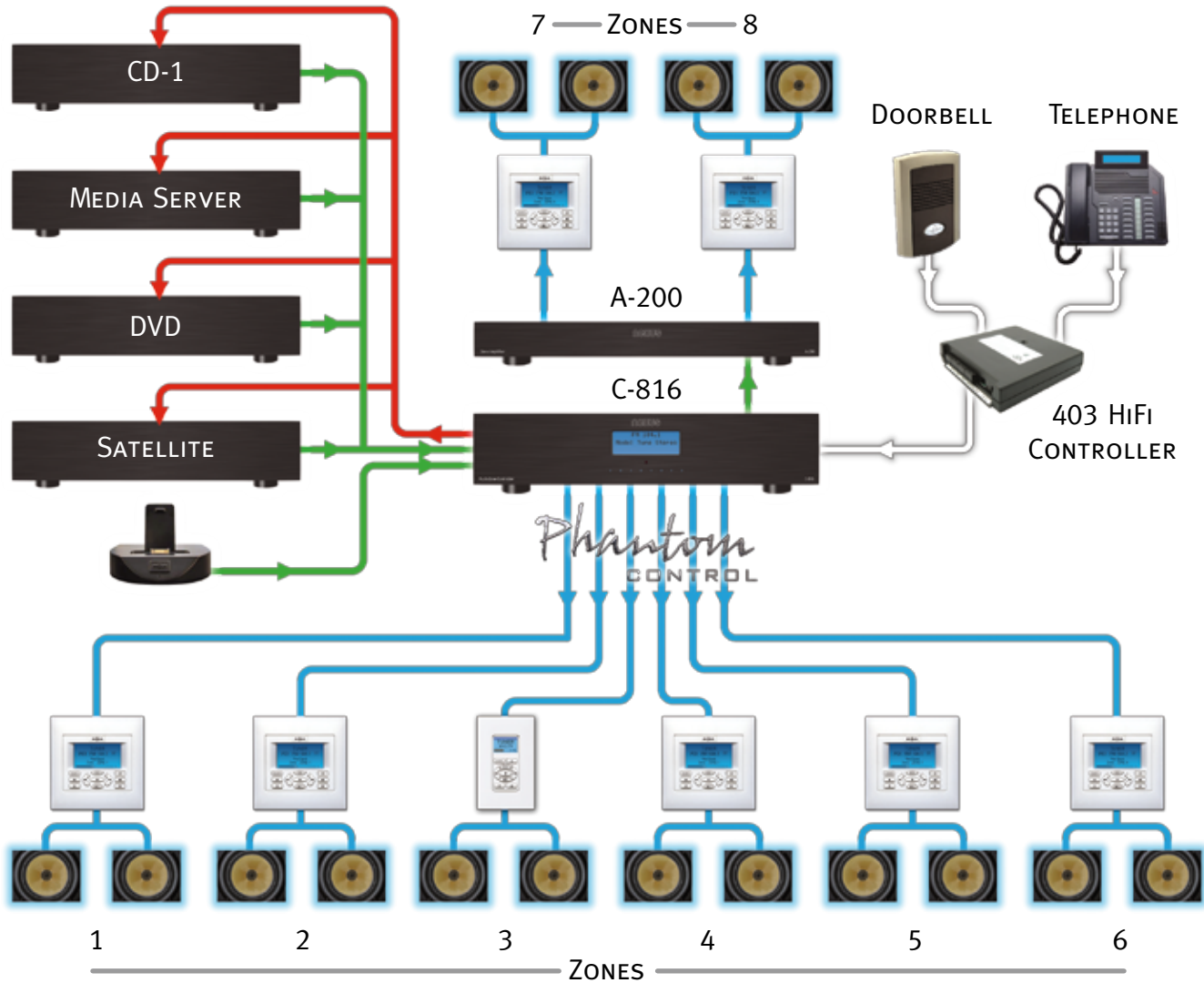
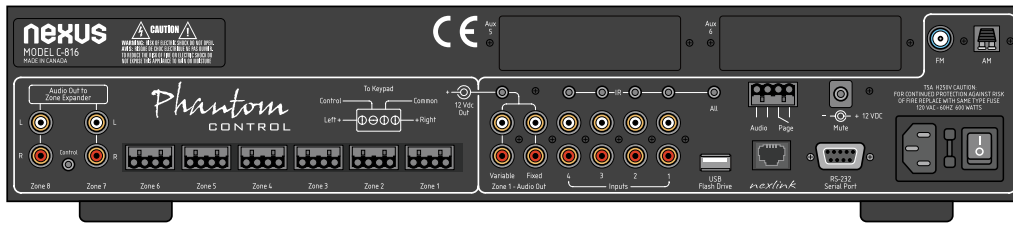
THE K-2 OFFERS AN INTUITIVE MENU SYSTEM THAT GUIDES YOU THROUGH CREATING ZONE GROUPING, SAVING PRESETS AND CUSTOM NAMING OF AM/FM RADIO STATIONS.

THE 5 BUTTON NAVIGATION ARRAY ALSO PROVIDES EASY ACCESS AND CONTROL OVER MOST IR ENABLED SOURCE COMPONENTS. KEYPADS ARE AVAILABLE IN WHITE, ALMOND, IVORY AND BLACK.

nexus

[www.nexusaudiosystems.com](http://www.nexusaudiosystems.com)

# C-816 Phantom Control Series Multi-Zone Audio Controller



Technical Specifications :

- ▶ 8 ZONES (TWO VARIABLE, LINE LEVEL, STEREO OUTPUTS).
- ▶ EXPANDABLE TO 16 INDIVIDUAL ZONES.
- ▶ 4 X STEREO RCA AUDIO INPUTS.
- ▶ 2 MODULE INPUTS FOR MZ-DOCK, INTERNET RADIO AND OTHER FUTURE SOURCES.
- ▶ FIXED AND VARIABLE LINE LEVEL OUTPUTS, LINKED TO ZONE 1.
- ▶ 1 DOORBELL MUTE AND 1 PAGING INPUT WITH DRY CONTACT TRIGGER.
- ▶ 4 X 3.5MM INFRARED OUTPUTS, 1 COMMON.
- ▶ RS-232 SERIAL PORT.
- ▶ USB CONNECTOR FOR FIRMWARE UPDATES.
- ▶ 8 X RJ-45 CONNECTORS FOR KEYPAD CONNECTIONS.
- ▶ 6 X "MOLEX" SPEAKER CONNECTIONS.
- ▶ BUILT IN AM/FM TUNER.
- ▶ 20 X 4 LCD FOR TUNER DISPLAY AND SETUP/PROGRAMMING.
- ▶ PACKAGED WITH 6 K-2 DUAL GANG KEYPADS, 4 IR EMITTERS AND 1 HANDHELD REMOTE CONTROL.
- ▶ 3.75"H X 17" W X 14" D WEIGHT 25 LBS.
- ▶ DESIGNED AND MANUFACTURED IN CANADA.
- ▶ 5 YEAR PARTS AND LABOUR WARRANTY.

nexus

www.nexusaudiosystems.com